

## Taylor, Bailey

---

**From:** Mountain View Water Department <waterdepartment@cityofmntnview.com>  
**Sent:** Tuesday, June 12, 2018 10:34 AM  
**To:** Taylor, Bailey  
**Subject:** quarterly AR0020117 june  
**Attachments:** quarterlyrep6-18ar.pdf

**Follow Up Flag:** Follow up  
**Flag Status:** Flagged

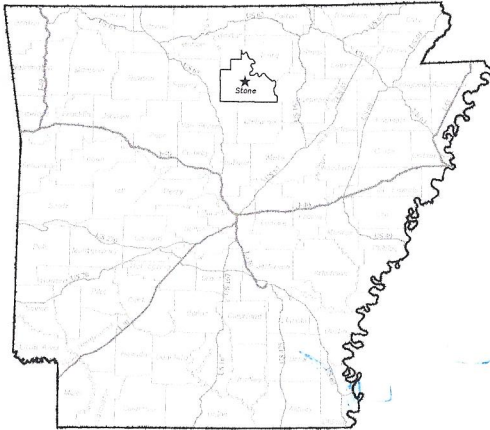
Ms. Taylor

It is quarterly report time again. All we have as of right now is Mc Clelland Engineers has submitted the plans to replace the Force Main to the big lift station on Park Ave. and Webb ST. The plans have been approved by the Arkansas Dept. of Health. We will continue to work on the I&I problem and should have more to report on in the next quarter per Mayor Gardner. If you have any questions please give us a call. Debbie for Mayor Gardner

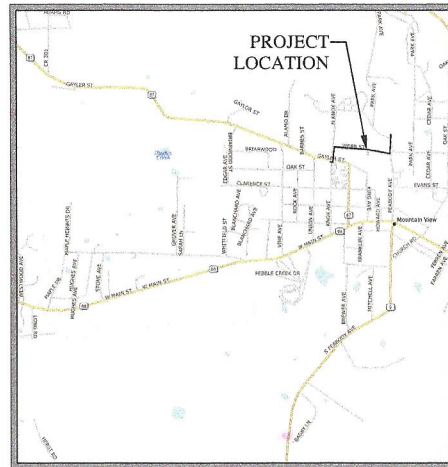
--

Mountain View Water Department  
Voice 1-870-269-3293  
Fax 1-870-269-9158

# CITY PARK FORCE MAIN MOUNTAIN VIEW, ARKANSAS



LOCATION MAP



VICINITY MAP

## INDEX TO DRAWINGS

1. COVER SHEET
2. SEWER FORCE MAIN PLAN & PROFILE
3. MISCELLANEOUS DETAILS

APRIL, 2018  
MCE PROJECT NO. 18-5755

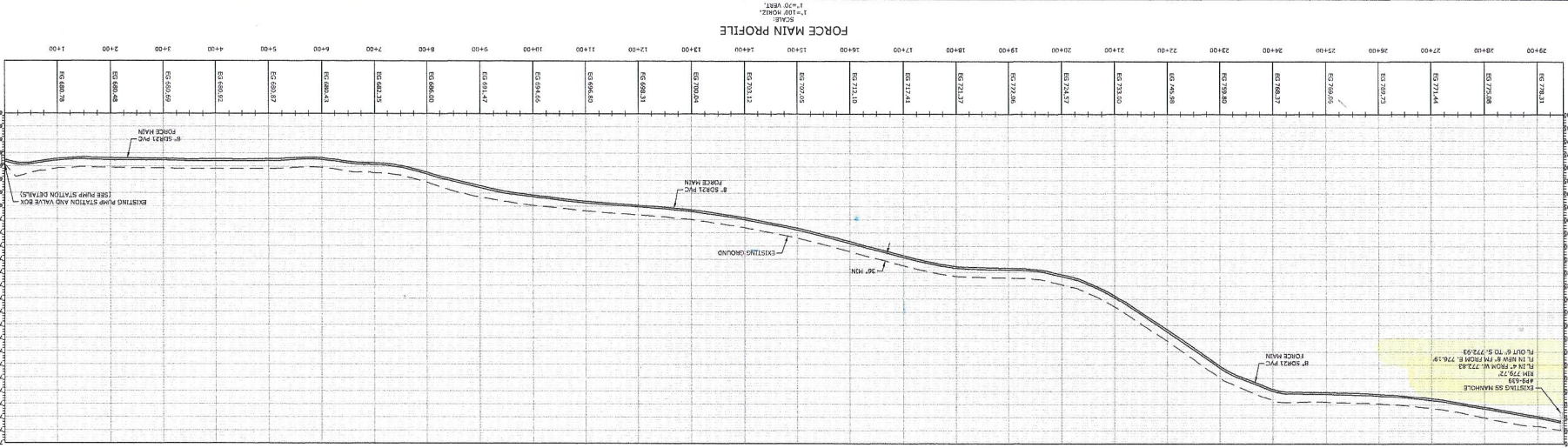
**MCE** McCLELLAND  
CONSULTING  
DESIGNED TO SERVE ENGINEERS, INC.

1810 N. College Fayetteville, AR 72702 PH# 479-443-2377  
7302 Kanis Rd. Little Rock, AR 72204 PH# 501-371-0272  
4606 S. Garnett Rd. Ste. 401 Tulsa, OK 74146 PH# 918-619-6803

<http://www.mce.us.com>



ORIGINAL SIGNATURE ON FILE



GENERAL NOTES:

1. ALL OPEN REGULATORS SHALL BE STRICTLY FOLLOWED AND SPECIAL CARE TAKEN TO PREVENT INTERACTION W/ OVERHEAD OR UNDERGROUND POWER SOURCES.
2. THE LOCATION OF WORKING UNDEGROUND STRUCTURES, PIPE TRENCH, GAS MAINS, FLY ASH SHOWN ON THE PLANS, THE CONTRACTOR SHALL BE RESPONSIBLE FOR OBTAINING INFORMATION AND SATISFYING HOMEOWNER AS TO THE LOCATION OF THE REFERENCED ITEMS SHOWN AND NOT LIMITED TO THE ITEMS SHOWN ON THIS DRAWING. CONTRACTOR SHALL BE RESPONSIBLE TO OBTAIN INFORMATION FROM THE CONTRACTOR OF SUCH ITEMS NECESSARY SHALL BE BORNE BY THE OWNER OF THE UTILITY OR STRUCTURE. THE COST OF SUCH RESEARCH SHALL BE BORNE BY THE CONTRACTOR.
3. ALL STREETS, DRIVEWAYS, WALLS, DAMAGED STRUCTURES, FENCES, ETC. THAT ARE DESTROYED DURING THE COURSE OF CONSTRUCTION SHALL BE RESTORED TO THEIR ORIGINAL OR BETTER CONDITION. THE CONTRACTOR SHALL BE RESPONSIBLE FOR OBTAINING INFORMATION FROM THE CONTRACTOR OF SUCH ITEMS NECESSARY SHALL BE BORNE BY THE OWNER OF THE UTILITY OR STRUCTURE. THE COST OF SUCH RESEARCH SHALL BE BORNE BY THE CONTRACTOR.
4. ALL CONCRETE SHALL DEVELOP 3000 PSI COMPRESSIVE STRENGTH IN 28 DAYS UNLESS OTHERWISE SPECIFIED.
5. THE CONTRACTOR IS REQUIRED TO NOTIFY THE ONE CALL CENTER AT 811 (48) HOURS BEFORE TO LOCATE ALL UNDERGROUND UTILITIES IN THE AREA.
6. MATERIALS SHALL HAVE MINIMUM OF 12 INCHES VERTICAL SEPARATION WITH WATER ON TOP. EXCESS EXCAVATION SHALL BE RESTORED TO ORIGINAL GRADE. CONTRACTOR SHALL BE RESPONSIBLE TO OBTAIN INFORMATION FROM THE CONTRACTOR OF SUCH ITEMS NECESSARY SHALL BE BORNE BY THE OWNER OF THE UTILITY OR STRUCTURE. THE COST OF SUCH RESEARCH SHALL BE BORNE BY THE CONTRACTOR.
7. MATERIALS SHALL HAVE MINIMUM OF 12 INCHES VERTICAL SEPARATION WITH WATER ON TOP. EXCESS EXCAVATION SHALL BE RESTORED TO ORIGINAL GRADE. CONTRACTOR SHALL BE RESPONSIBLE TO OBTAIN INFORMATION FROM THE CONTRACTOR OF SUCH ITEMS NECESSARY SHALL BE BORNE BY THE OWNER OF THE UTILITY OR STRUCTURE. THE COST OF SUCH RESEARCH SHALL BE BORNE BY THE CONTRACTOR.
8. ALL UTILITIES SHALL BE PROTECTED AT ALL LOCATIONS WHERE NEW WATERLINE CROSSES EXISTING NATURAL GAS LINES (ON EACH SIDE OF CROSSING) AND WHERE OTHERWISE SHOWN.

**811**  
 One Call  
 Know what's below. Call before you dig.

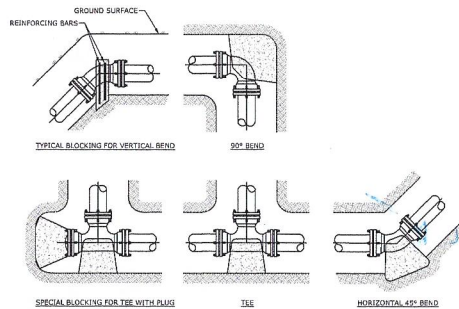
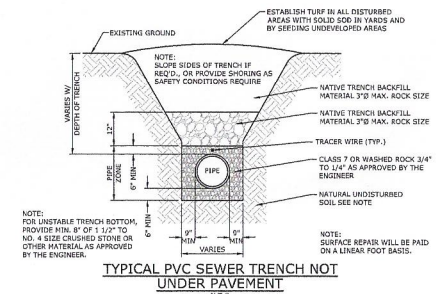
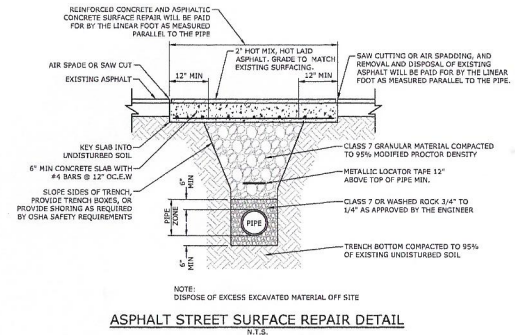
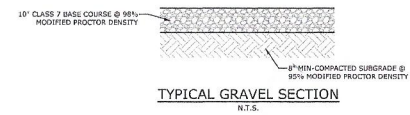
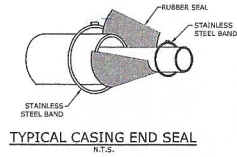
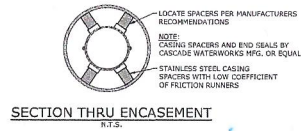
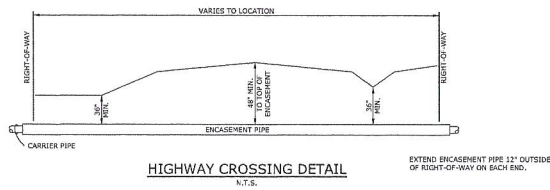
CITY PARK FORCE MAIN  
 MOUNTAIN VIEW, ARKANSAS

APRIL 2018  
 DATE: 4/12/2018  
 DRAWN BY: JAM  
 CHECKED BY: JAM

SCALE: 1"=100' HORIZ., 1"=20' VERT.  
 FORCE MAIN PROFILE

PROJECT NO. 18-0755  
 SHEET NO. 18-0755

MFC CONSULTING ENGINEERS, INC.  
 10001 North Main Street, Suite 100  
 Little Rock, Arkansas 72211  
 Phone: 501-782-4444  
 Fax: 501-782-4445  
 Email: info@mfc-engineers.com  
 Website: http://www.mfc-engineers.com



**BEARING AREA OF THRUST BLOCKS IN SQ. FT (HORIZONTAL BENDS)**

FITTING SIZE	TEE, WYE, FLUOR CAP	90° BEND, PLUGGED CROSS	TEE PLUGGED ON RUN		BEND ANGLE	
			A1	A2	45°	22 1/2°
4	1.0	1.4	1.0	1.4	1.0	1.11
6	2.1	3.0	2.1	3.0	1.6	1.6
8	3.8	5.3	3.8	5.4	2.9	1.5
10	5.9	8.4	5.9	8.4	4.6	2.4
12	8.5	12.0	8.5	12.2	6.6	3.4
14	11.5	16.3	11.5	16.3	8.9	4.8
16	15.0	21.3	15.0	21.3	11.8	6.5
18	19.0	27.0	19.0	27.0	14.6	7.6
20	23.5	33.3	23.5	33.3	18.1	9.4
24	34.0	48.8	34.0	48.0	26.2	13.5

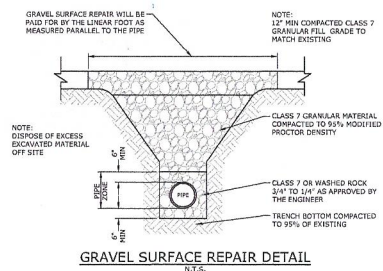
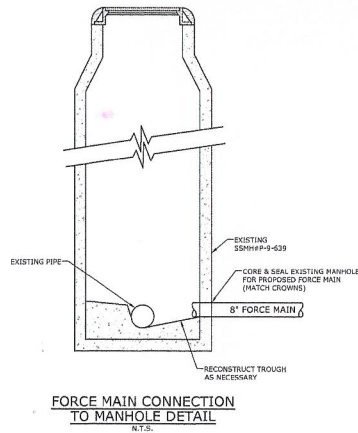
**VOLUME OF THRUST BLOCK IN CUBIC YARDS (VERTICAL TRENDS)**

FITTING SIZE	BEND ANGLE	
	45°	22 1/2°
4	3.1	0.4
6	2.7	1.0
8	4.0	1.5
10	5.0	2.3
12	6.5	3.2
14	8.5	4.3
16	10.8	5.6

**GALVANIZED # 4 BARS OVER FITTING AND EMBEDDED IN CONCRETE (SEE TABLE FOR SIZES)**

FITTING SIZES	ROD SIZES	EMBEDMENT
#8'S	#8'S	36"
#6'S	#6'S	36"

- THRUST BLOCK NOTES:**
- KEEP CONCRETE CLEAR OF JOINT ACCESSORIES.
  - CONCRETE THRUST BLOCKING SHALL BE POURING AGAINST UNDISTURBED EARTH.
  - REQUIRED VOLUMES OR BEARING AREA A, FITTINGS SHALL BE AS INDICATED BELOW, ADJUSTED, IF NECESSARY, TO CONFORM TO THE TEST PRESSURE(S) AND ALLOWABLE SOIL BEARING STRESS(ES) STATED IN THE SPECIFICATIONS.
  - THRUST BLOCK VOLUMES FOR VERTICAL BENDS HAVING UPWARD RESULTANT THRUSTS ARE BASED ON TEST PRESSURE OF 150 PSIG AND THE WEIGHT OF CONCRETE = 4050 LBS/CU YD. TO COMPUTE VOLUMES FOR DIFFERENT TEST PRESSURES, USE THE FOLLOWING EQUATION: BEARING AREA = (TEST PRESS. /150) x (TABLE VALUE).
  - BEARING AREAS FOR HORIZONTAL BEND THRUST BLOCKS ARE BASED ON TEST PRESSURE OF 150 PSIG AND AN ALLOWABLE SOIL BEARING STRESS OF 2000 LBS/SQ. FT. TO COMPUTE BEARING AREAS FOR DIFFERENT TEST PRESSURES AND SOIL BEARING STRESSES, USE THE FOLLOWING EQUATION: BEARING AREA = (TEST PRESS. /150) x (2000/SOIL BEARING STRESS) x (TABLE VALUE).
  - THRUST BLOCKS FOR VERTICAL BENDS HAVING DOWNWARD RESULTANT THRUST SHALL BE THE SAME AS FOR HORIZONTAL BENDS.
  - BEARING AREAS, VOLUMES, AND SPECIAL BLOCKING DETAILS SHOWN ON PLANS TAKE PRECEDENCE OVER THIS STANDARD.
  - BEARING AREA OF THRUST BLOCK SHALL NOT BE LESS THAN 1.0 SQ. FT.
  - VERTICAL BENDS THAT REQUIRE A THRUST BLOCK VOLUME EXCEEDING 5 CUBIC YARDS REQUIRE SPECIAL BLOCKING DETAILS. SEE PLANS.



**MCCLELLAND CONSULTING ENGINEERS, INC.**  
1825 S. W. 21st St., Suite 200  
Tulsa, Oklahoma 74119  
Phone: 918.438.2222  
Fax: 918.438.2222  
http://www.mccc.us.com

**REGISTERED PROFESSIONAL ENGINEER**  
No. 18552  
ADAM S. TRICER  
4/18/18

**CITY PARK FORCE MAIN**  
MOUNTAIN VIEW, ARKANSAS

**One Call 811**  
Know what's below. Call before you dig.

NO.	DATE	DESCRIPTION

**MISCELLANEOUS DETAILS**

PREPARED BY: AST  
DESIGNED BY: JAM  
DATE: APRIL 2018  
SCALE: AS SHOWN  
JOB NUMBER: 18-5755



# Arkansas Department of Health

4815 West Markham Street • Little Rock, Arkansas 72205-3867 • Telephone (501) 661-2000

Governor Asa Hutchinson

Nathaniel Smith, MD, MPH, Director and State Health Officer

Engineering Section, Slot 37

Ph 501-661-2623

Fax 501-661-2032

[www.HealthyArkansas.gov/eng/](http://www.HealthyArkansas.gov/eng/)

After Hours Emergency 501-661-2136

June 5, 2018

Danny Hernandez  
McClelland Consulting Engineers, Inc.  
P.O. Box 34087  
Little Rock, AR 72204

RE: City Park Force Main *Stone*  
Mountain View, IZARD County  
ADH Project # 103521

Attn: Danny Hernandez

The plans and specifications for the above referenced project dated May 30, 2018 and received by this office on May 31, 2018, have been reviewed and are hereby approved with the following conditions:

1. The Engineering Section relied upon the statements and representations made in the engineer's report, plans and specifications. In case any statement or representation in the aforementioned documents is found to be incorrect, this Approval may be revoked.
2. There shall be no deviation from the plans and specifications unless revised plans and specifications have been first submitted for review and written consent given.
3. The review and approval of the plans and specifications were for functional and sanitary features and in no way constitute an analysis of the structural design.
4. If construction on this project is not started within one year of the date affixed hereto, this Letter of Approval is void.
5. Construction inspection for this project shall be the responsibility of McClelland Consulting Engineers, Inc.

One set of the plans is being retained for our files and one set is being returned. When submitting correspondence pertaining to this project, please include our reference number 103521.

Sincerely,

Raymond Thompson, P.E.  
Engineering Supervisor  
Engineering Section

RT:TB:tb

Cc: IZARD Co EHS  
Mountain View Water  
Stone Co Health Unit

Attn: Dwayne Mariott, Area 2 Plumbing Inspector

**RECEIVED**  
Date: 6-11-18 *RU*